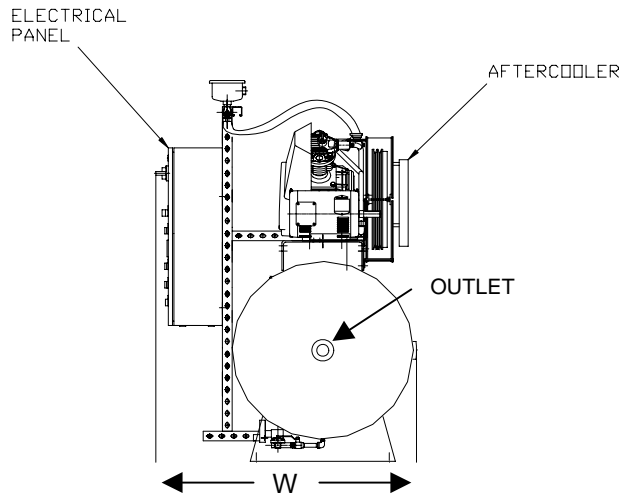
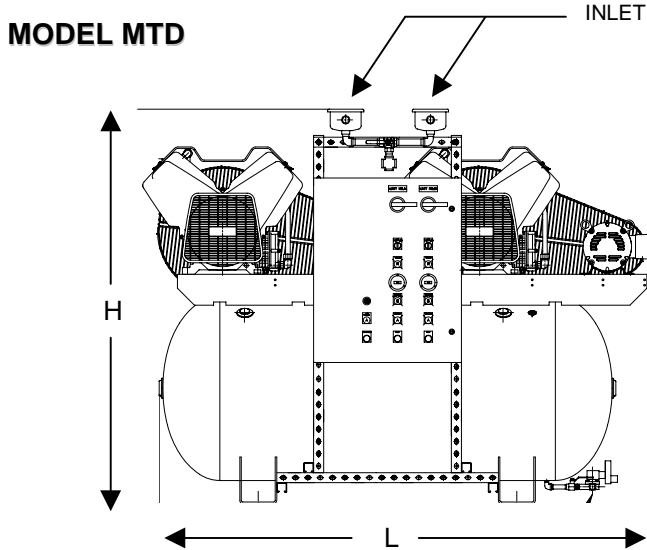




Medical Tank Mount Duplex Submittal/Technical Data



MODEL	Dim. Inches			Inlet NPT	Outlet NPT
	L	W	H		
MTD0103	64	32	46	3/4"	1/2"
MTD0203	64	32	46	3/4"	1/2"
MTD0303	65	32	48	3/4"	1/2"
MTD0304	71	36	52	3/4"	1/2"
MTD0504	71	36	56	1"	1/2"
MTD0505	82	40	36	1"	1/2"
MTD0756	86	60	75	1-1/2"	3/4"
MTD1006	86	60	75	1-1/2"	3/4"
MTD1506	86	60	75	1-1/2"	3/4"

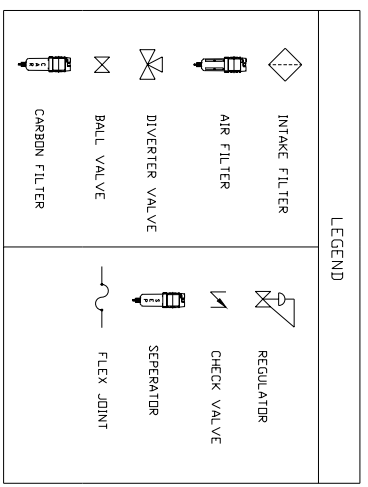
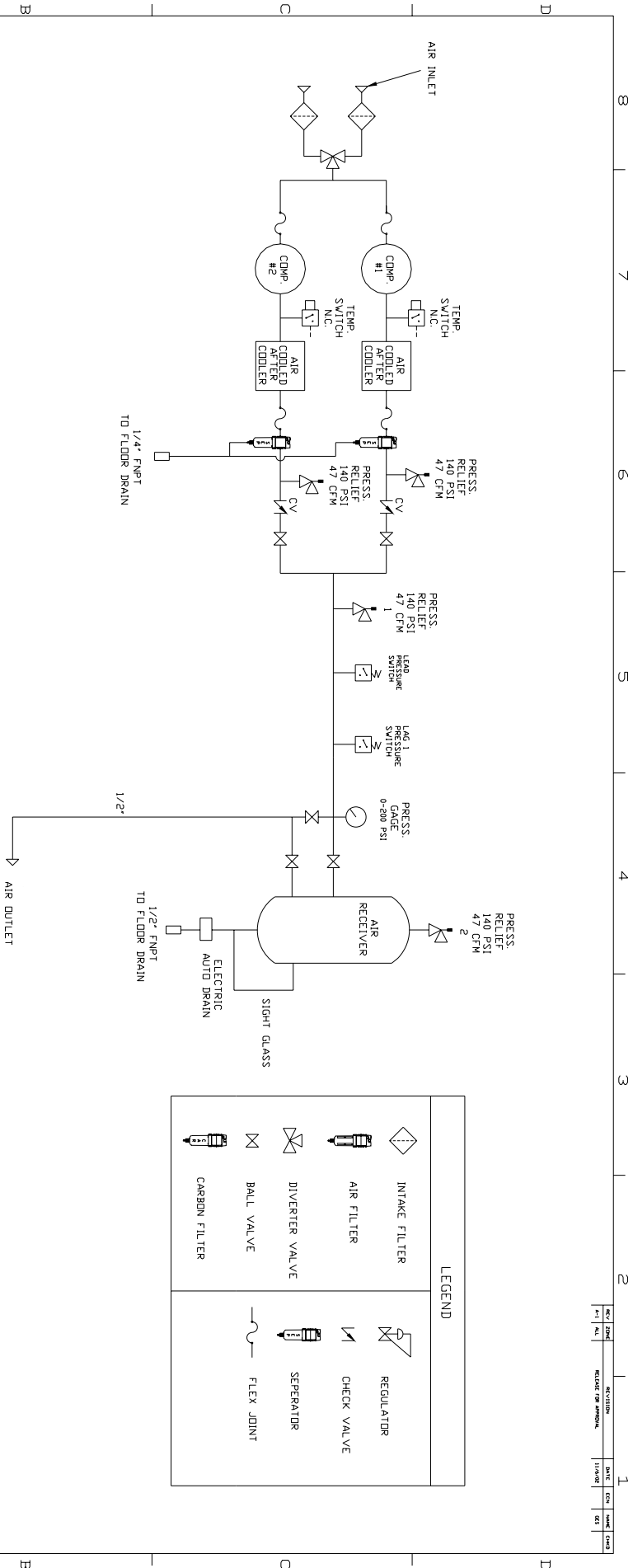
* Drawings are for reference only

MEDICAL TANK MOUNT DUPLEX - SUBMITTAL/TECHNICAL DATA

MODEL	HP	Capacity ¹ @ 100 psig	TANK SIZE Gal.	BTU/HR ¹	dB(A) ¹ LEVEL	SYSTEM F.L.A.			Weight Lbs.
						208V	230V	460V	
MTD0103	1(2)	3.6	80 H	2,417	71	6.2	5.6	2.8	710
MTD0203	2(2)	6.9	80 H	4,834	71	11.8	11.1	5.6	750
MTD0303	3(2)	10.5	80 H	6,615	71	17.4	16	8	775
MTD0304	3(2)	10.5	120 H	6,615	71	17.4	16	8	775
MTD0504	5(2)	17.9	120 H	12,722	75	27.4	26.4	13.2	930
MTD0505	5(2)	17.9	200 H	12,722	75	27.4	26.4	13.2	1,049
MTD0756	7.5(2)	28.6	240 H	18,320	76	40	38.4	19.2	1,350
MTD1006	10(2)	36.9	240 H	24,426	76	56	56	28	1,490
MTD1506	15(2)	54.2	240 H	36,639	79	81.8	81.2	40.6	1,490

1) - Capacity, BTU/HOUR & dB(A) shown with one pump in reserve

Medical Tank Mount Duplex Flow Diagram



PRESSURE SWITCH SETTINGS (PSID)

LAGI	START	STOP
LAGI	90	120
	80	110

- NOTES:**
- 1) IF LAG 1 COMPRESSOR IS ENERGIZED
 - 2) PIPING TO THE INLET BY OTHERS AND TO BE PER NFPA99 4-31.1.9(b)
 - 3) INSTRUMENT'S DOWN STREAM OF SOURCE VALVE TO BE SUPPLIED BY OTHERS.
 - 4) THIS DRAWING COVERS PARTS S-25, -35, AND -45.

POWEREX

DUPLIX FLOW SCHEMATIC

MTD

DATE: 11/26/02

SCALE: 1/8"

REV: 1

REV: 2

REV: 3

REV: 4

REV: 5

REV: 6

REV: 7

REV: 8

REV: 9

REV: 10

REV: 11

REV: 12

REV: 13

REV: 14

REV: 15

REV: 16

REV: 17

REV: 18

REV: 19

REV: 20

REV: 21

REV: 22

REV: 23

REV: 24

REV: 25

REV: 26

REV: 27

REV: 28

REV: 29

REV: 30

REV: 31

REV: 32

REV: 33

REV: 34

REV: 35

REV: 36

REV: 37

REV: 38

REV: 39

REV: 40

REV: 41

REV: 42

REV: 43

REV: 44

REV: 45

REV: 46

REV: 47

REV: 48

REV: 49

REV: 50

REV: 51

REV: 52

REV: 53

REV: 54

REV: 55

REV: 56

REV: 57

REV: 58

REV: 59

REV: 60

REV: 61

REV: 62

REV: 63

REV: 64

REV: 65

REV: 66

REV: 67

REV: 68

REV: 69

REV: 70

REV: 71

REV: 72

REV: 73

REV: 74

REV: 75

REV: 76

REV: 77

REV: 78

REV: 79

REV: 80

REV: 81

REV: 82

REV: 83

REV: 84

REV: 85

REV: 86

REV: 87

REV: 88

REV: 89

REV: 90

REV: 91

REV: 92

REV: 93

REV: 94

REV: 95

REV: 96

REV: 97

REV: 98

REV: 99

REV: 100